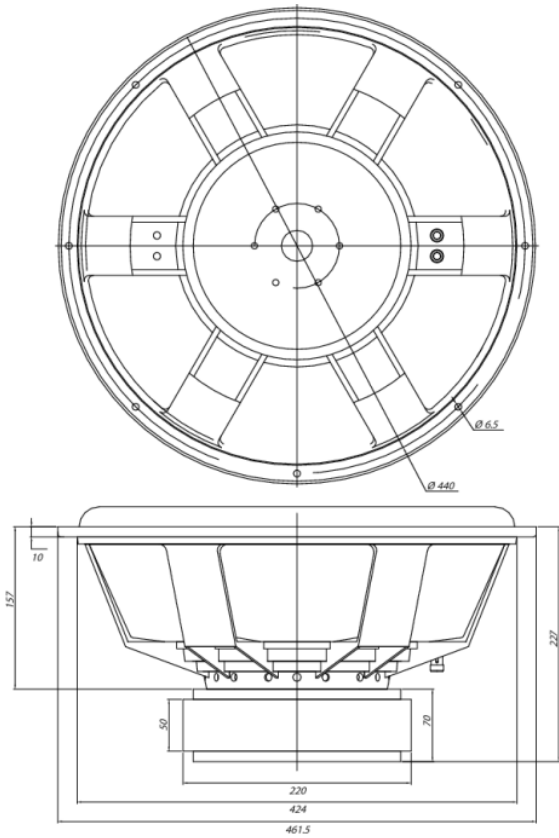




RSS460HO-4 18" Reference HO Subwoofer 4 Ohm

RSS460HO-4



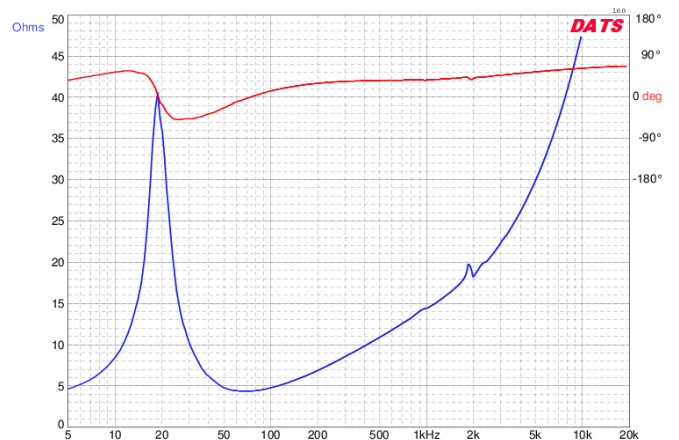
PARAMETERS

Impedance	4 ohms
Re	3.2 ohms
Le	2.24 mH @ 1 kHz
Fs	18.8 Hz
Qms	4.05
Qes	0.35
Qts	0.32
Mms	499g
Cms	0.14 mm/N
Sd	1,164.0 cm ²
Vd	1,484.1 cm ³
BL	23.4 Tm
Vas	272 liters
Xmax	12.75 mm
VC Diameter	76.2 mm
SPL	93 dB @ 2.83V/1m
RMS Power Handling	900 watts
Usable Frequency Range (Hz)	20 - 500 Hz

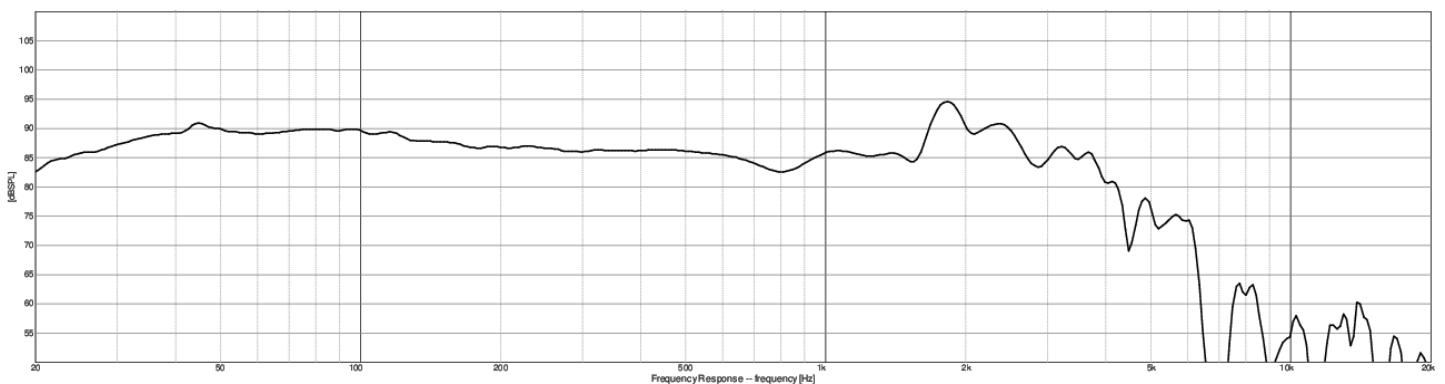
FEATURES

- Extensively vented motor eliminates compression and allows quiet excursion
- Extra-thick black anodized aluminum cone for maximum rigidity
- Triple shorting ring motor for ultra-low distortion
- 4-layer coil for high power handling
- Optimized parameters for small enclosures

IMPEDANCE/PHASE



FREQUENCY RESPONSE



Note: 1/24th octave smoothing - nearfield response included in graph below 450 Hz.

Black = 0°