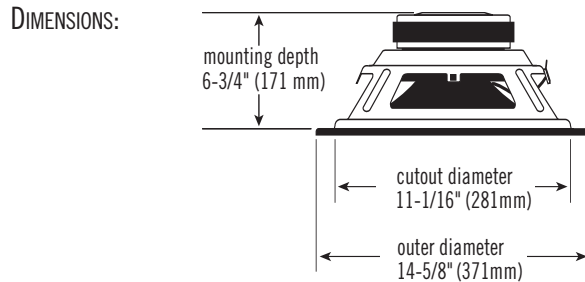




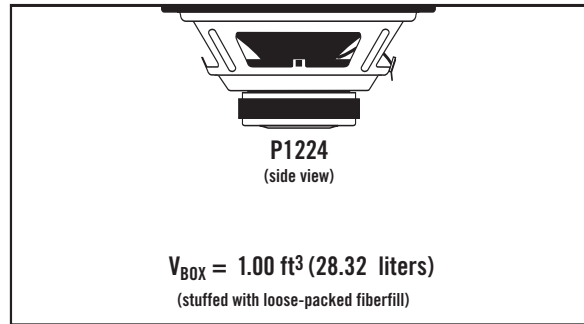
# P1224 12" Woofer – Technical Data

## SPECIFICATIONS

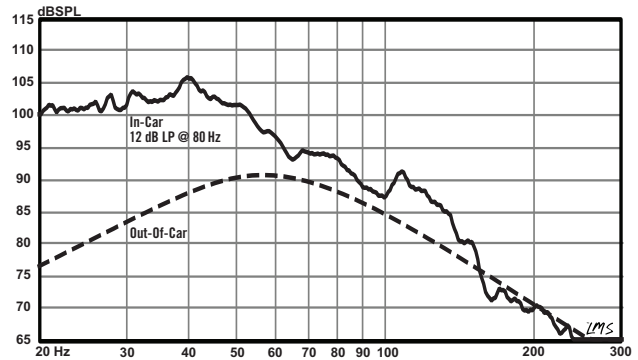
DIAMETER:	12" (305mm)
SENSITIVITY (2.83 V @ 1m):	94 dB
POWER HANDLING:	400 W <sub>RMS</sub> 1600 W <sub>PEAK</sub>
FREQUENCY RESPONSE:	23 ~ 450 Hz
NOMINAL IMPEDANCE:	4 OHMS (PER COIL)
VOICE-COIL DIAMETER:	3.0" (76.2 mm)



## SEALED ENCLOSURE VOLUME (INCLUDES DRIVER DISPLACEMENT)



## SEALED ENCLOSURE FREQUENCY RESPONSE @ 2.83 V

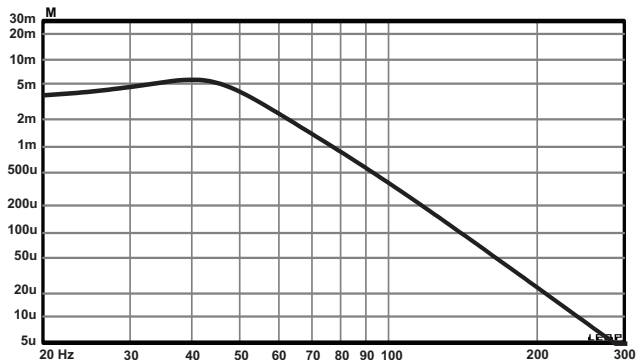


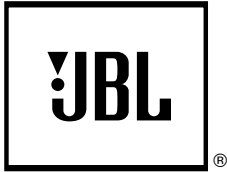
## THIELE-SMALL PARAMETERS

VOICE COIL DC RESISTANCE:	$R_{EVC}$ (OHMS) . . . . . 2.00
VOICE COIL INDUCTANCE @ 1kHz:	$L_{EVC}$ (MH) . . . . . 1.60
DRIVER RADIATING AREA:	$S_D$ (IN <sup>2</sup> ) . . . . . 87.11
	$S_D$ (CM <sup>2</sup> ) . . . . . 562.00
MOTOR FORCE FACTOR:	$BL$ (TM) . . . . . 12.88
COMPLIANCE VOLUME:	$V_{AS}$ (FT <sup>3</sup> ) . . . . . 1.93
	$V_{AS}$ (LITERS) . . . . . 54.60
SUSPENSION COMPLIANCE:	$C_{MS}$ (μM/N) . . . . . 121.00
MOVING MASS, AIR LOAD:	$M_{MS}$ (GRAMS) . . . . . 286.70
MOVING MASS, DIAPHRAGM:	$M_{MD}$ (GRAMS) . . . . . 279.00
FREE-AIR RESONANCE:	$F_S$ (Hz) . . . . . 27.00
MECHANICAL Q:	$Q_{MS}$ . . . . . 7.40
ELECTRICAL Q:	$Q_{ES}$ . . . . . 0.58
TOTAL Q:	$Q_{TS}$ . . . . . 0.54
MAGNETIC-GAP HEIGHT:	$H_{AG}$ (IN) . . . . . 0.48
	$H_{AG}$ (MM) . . . . . 12.00
VOICE-COIL HEIGHT:	$H_{VC}$ (IN) . . . . . 1.58
	$H_{VC}$ (MM) . . . . . 40.00
MAXIMUM EXCURSION:	$X_{MAX}$ (IN) . . . . . .56
	$X_{MAX}$ (MM) . . . . . 14.00

\*VOICE COIL CONNECTED IN PARALLEL

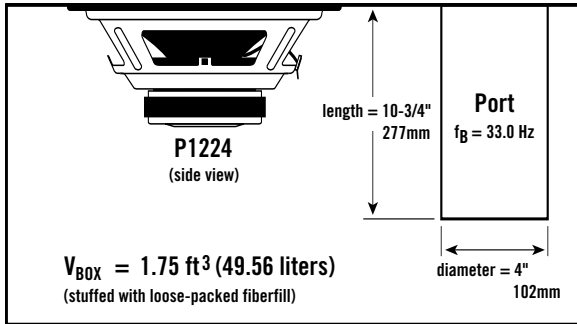
## SEALED ENCLOSURE TRANSDUCER EXCURSION @ 400 W



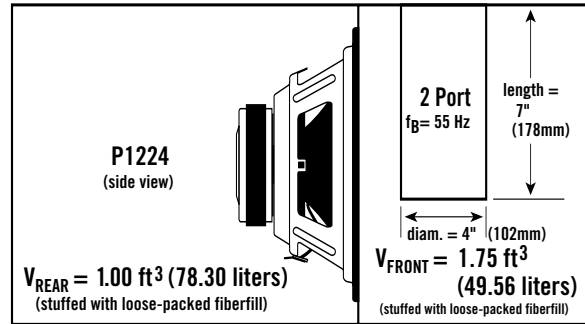


# P1224 12" Woofer – Technical Data

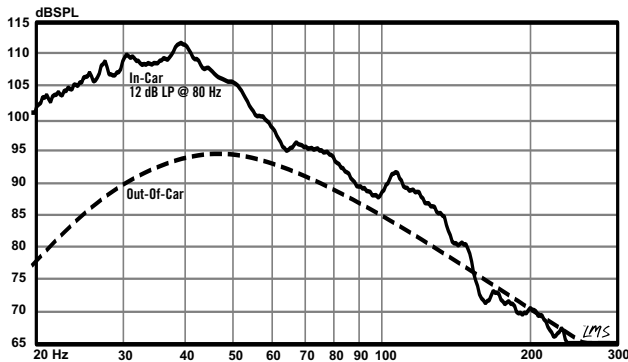
## VENTED ENCLOSURE VOLUME (INCLUDES DRIVER/PORT DISPLACEMENTS)



## BANDPASS ENCLOSURE VOLUME (INCLUDES DRIVER/PORT DISPLACEMENTS)



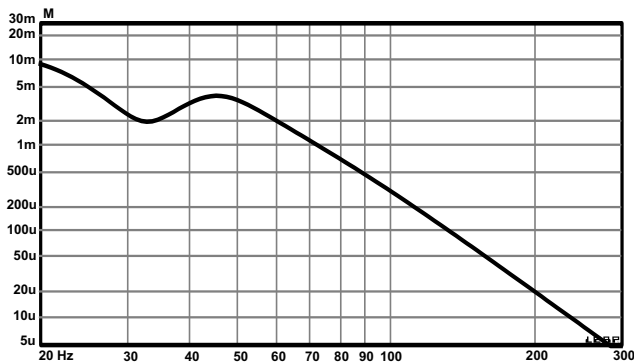
## VENTED ENCLOSURE FREQUENCY RESPONSE @ 2.83 V



## BANDPASS ENCLOSURE FREQUENCY RESPONSE @ 2.83 V



## VENTED ENCLOSURE TRANSDUCER EXCURSION @ 400 W



## BANDPASS ENCLOSURE TRANSDUCER EXCURSION @ 400 W

